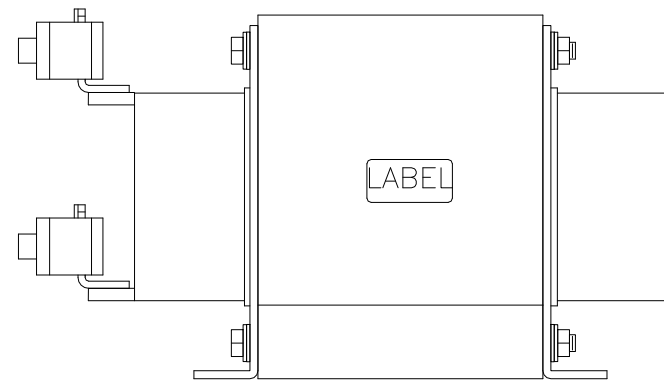
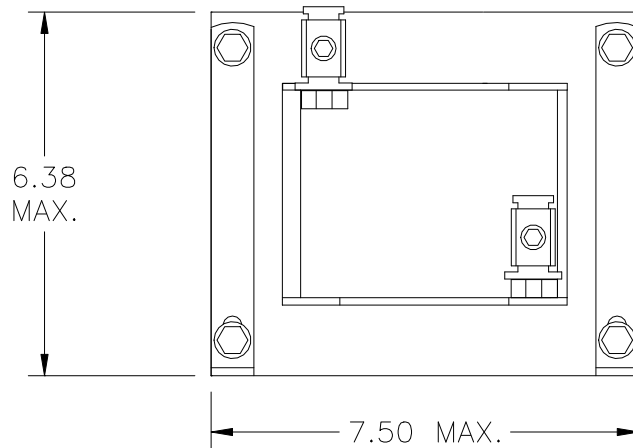
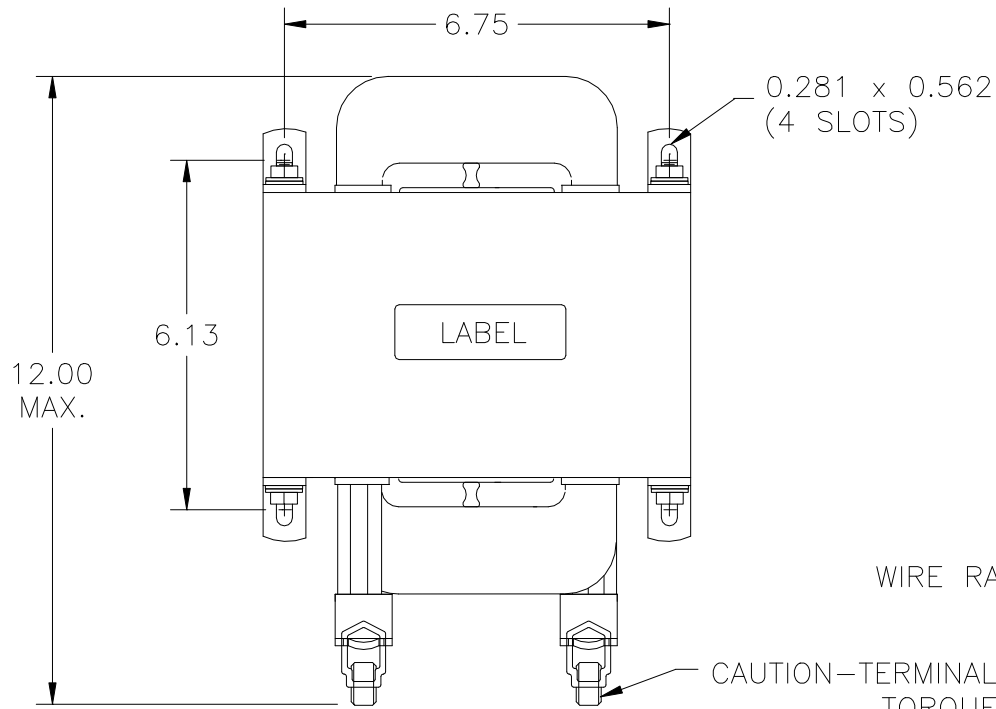


INDUCTANCE	LOSSES	WEIGHT
0.4 mH	75 Watts	70 Lbs

NO.	CHANGE DESCRIPTION	BY	DATE	C'K'D
04	REVISED PER ECR 7175, ADDED CD	RS	8/23/10	



UNLESS OTHERWISE SPECIFIED, DIMENSIONS ARE IN INCHES [mm] AND TOLERANCES ARE:

DECI. FRAC.

ANGLES DRILLED HOLES

PART NAME:	DC LINK CHOKE
DESCRIPTION:	OUTLINE DIMENSION
FINISH:	

MTE CORPORATION MENOMONEE FALLS, WISCONSIN			
CD 200RB003			REV. 04
SCALE	NTS	DATE 08/28/96	C'K'D
REF.	DR. BY	BET	APP'D

FILE: